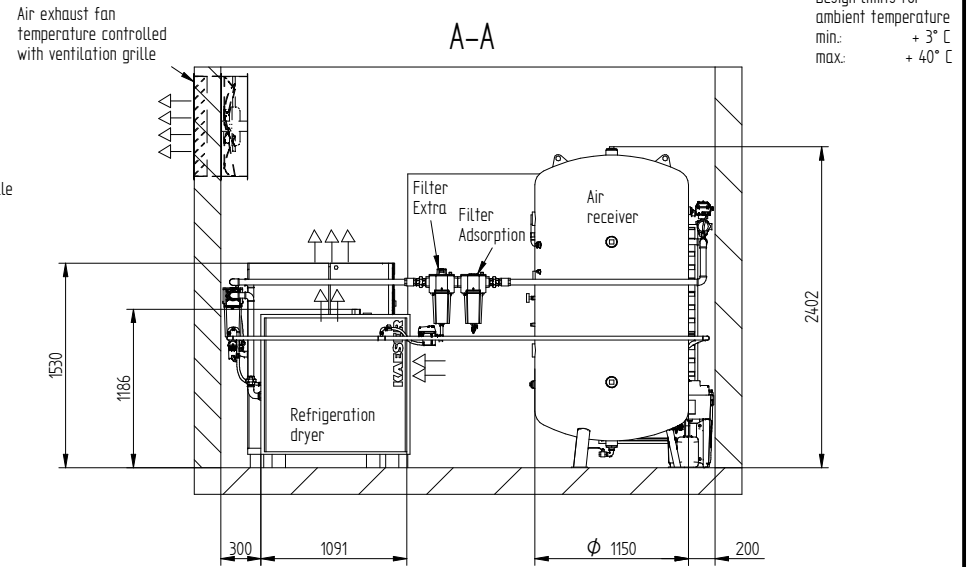
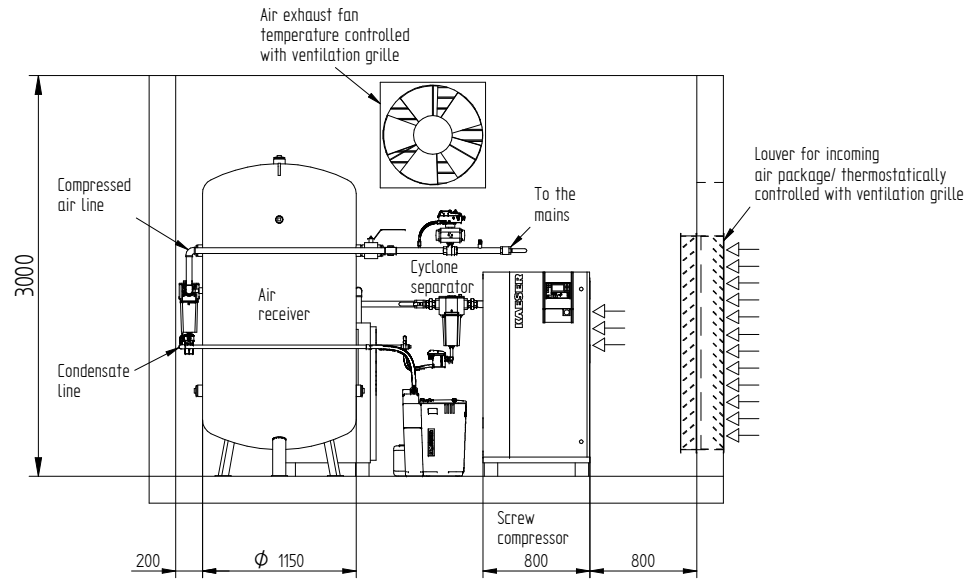
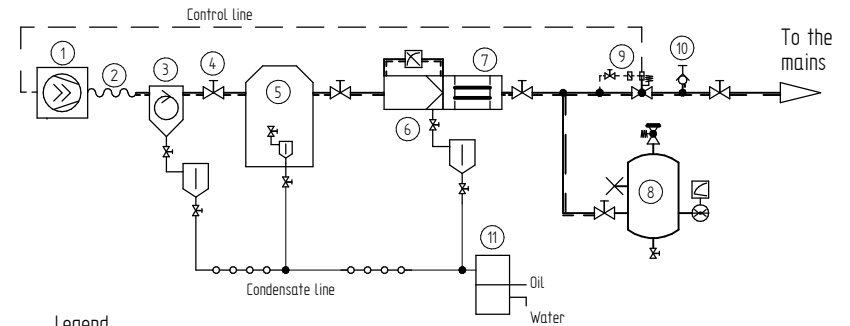
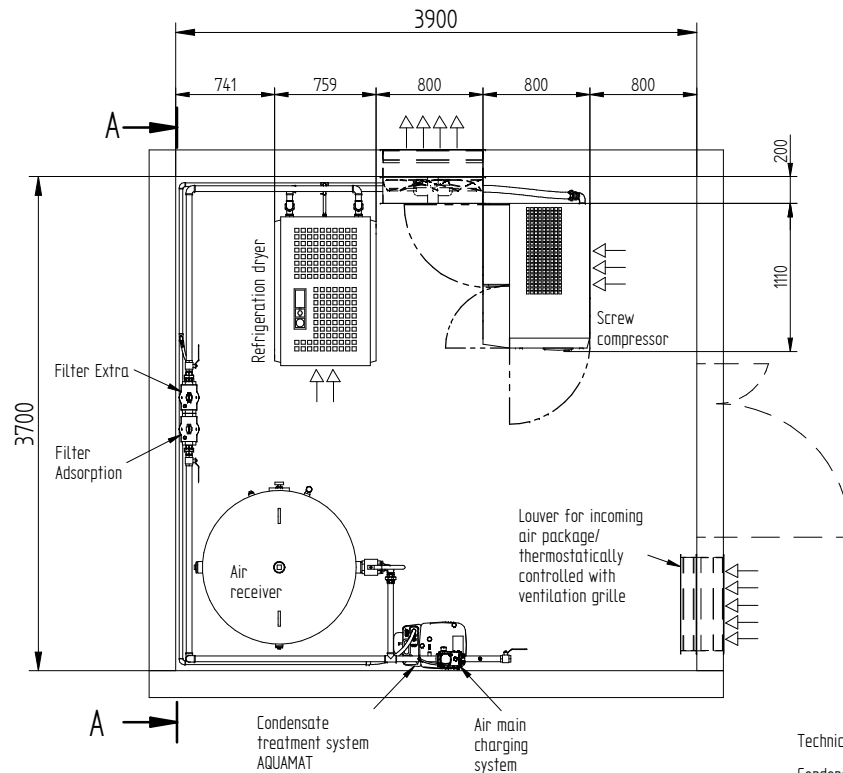


Drawings remain our exclusive property. They are intended only for the agreed purpose. Copies or any other reproduction, including storage, treatment and dissemination by use of electronic systems must not be made for any other than the agreed purpose. Neither originals nor reproductions may be given to or made available to third parties.

Die Zeichnung bleibt unser ausschließliches Eigentum. Sie wird nur zu dem vereinbarten Zweck anvertraut und darf zu keinem anderen Zweck verwendet werden. Kopien oder sonstige Vervielfältigungen einschließlich Speicherung, Verarbeitung oder Verteilung unter Verwendung elektronischer Systeme dürfen nur zu dem vereinbarten Zweck angefertigt werden. Weder Original noch Vervielfältigungen dürfen Dritten zugänglich oder in sonstiger Weise zugänglich gemacht werden.



Design limits for ambient temperature
min.: + 3° C
max.: + 40° C



Legend

- 1 Screw compressor
- 2 Hose line
- 3 Cyclone separator with electronic condensate drain
- 4 Ball valve
- 5 Refrigeration dryer
- 6 Filter Extra with electronic condensate drain
- 7 Filter Adsorption
- 8 Air receiver, vertical
- 9 Air main charging system DHS (ensured air supply)
- 10 Hose coupling (Service DHS)
- 11 Condensate treatment system

This drawing also contains work to be done on site. The regulations of EN 1012 and national regulations for setting up of power installations like VDE 0100 have to be observed, the requirements of existing operational safety ordinance and the manuals have to be considered by the operator and the employer respectively at the place of installation. The national safety and accident prevention regulations have to be observed. The installation of a sub-assembly in terms of the pressure equipment directive 2014/ 68/ EU has to be carried out according to this directive.

Technical data see page 2

Condensate lines have to be connected to a collecting line via swan neck or are to be fed to the condensate treatment system separately. A pressure-less drain has to be provided for.

ATTENTION!
Minimum width of door is total component width + 100 mm

KAESER
KOMPRESSOREN

P + I
 Inst.

Scale
1:40
DIN A3

	Date	Name
Drawn	12/12/2016	Nahhas1
Checked	12/12/2016	Hobusch

Description **Sample layout sketch // 40° C**
ASK with exhaust air fan
(Shown ASK 40, TD 61, F 46 KE, F 46 KA)

Plan No.
LYMU0008900e
Page 1 of 2

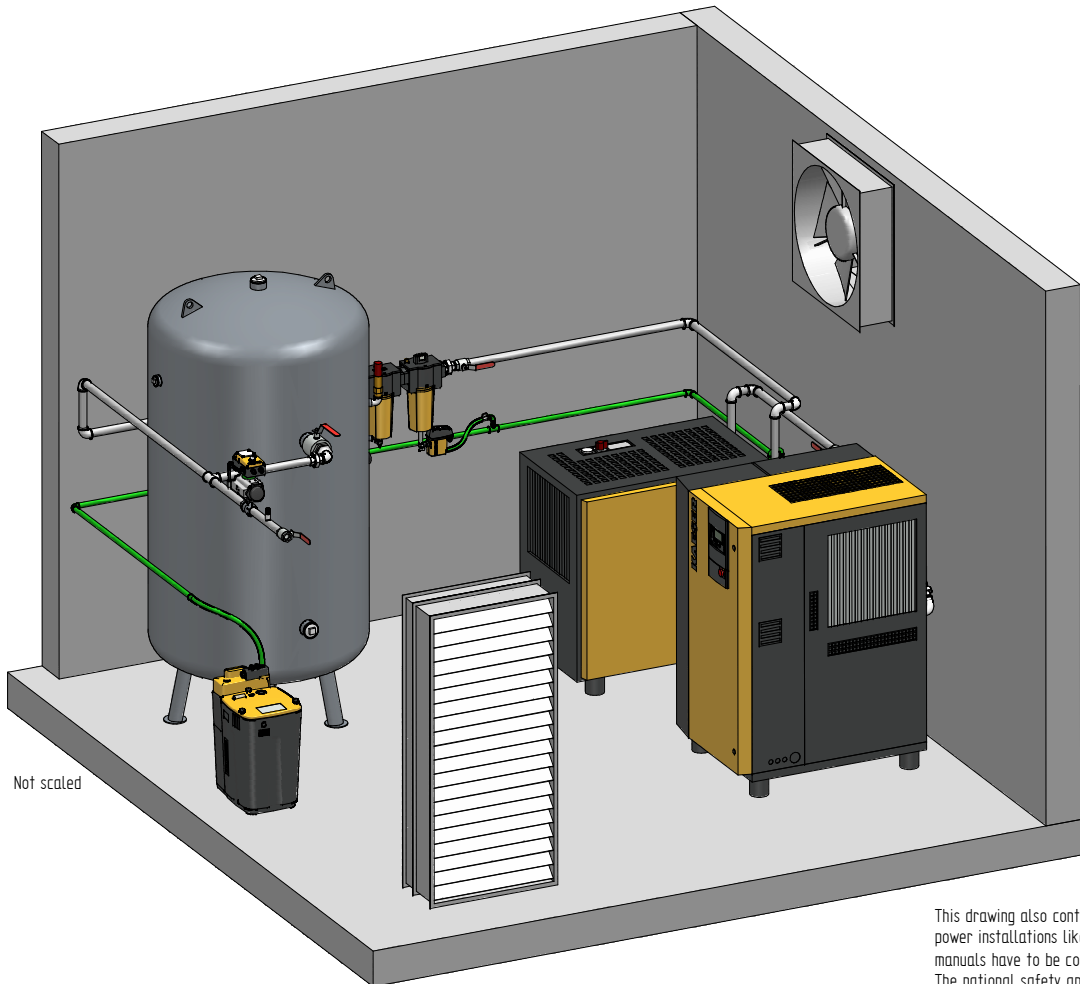
Drawings remain our exclusive property. They are estimated only for the agreed purpose. Copies or any other reproduction, including storage, treatment and dissemination by use of electronic systems, must not be made for any other than the agreed purpose. Neither originals nor reproductions may be given to or made available to third parties.

Die Zeichnung bleibt unser ausschließliches Eigentum. Sie wird nur zu dem vereinbarten Zweck anvertraut und darf zu keinem anderen Zweck verwendet werden. Kopien oder sonstige Vervielfältigungen einschließlich Speicherung, Verarbeitung oder Verteilung unter Verwendung elektronischer Systeme dürfen nur zu dem vereinbarten Zweck angefertigt werden. Weder Original noch Vervielfältigungen dürfen an Dritte ausgeliefert oder in sonstiger Weise zugänglich gemacht werden.

Compressor model	Working pressure [bar(g)]	Compressed air connection	Air entrance aperture free cross section per compressor [m²]	Incoming air volume per compressor [m³/h]	Cyclone Separator	Compressed air connection	ECO-DRAIN a)	Refrigeration dryer model	Compressed air connection	Air entrance aperture (free cross section) per dryer [m²]	Incoming air volume per dryer [m³/h]	Exhaust air fan (thermostatically controlled) [m³/h]	Filter Extra	Compressed air connection	ECO-DRAIN a)	Filter Adsorption	Compressed air connection	Air receiver [l]	Compressed air connection	Air main charging system	Compressed air connection	Condensate treatment system AQUAMAT a)
ASK 28	8	G 1 1/4	0.5	6170	F 46 KC	G 1	31	TC 44	G 1 1/4	0.2	2380	8380	F 46 KE	G 1 1/4	31 F	F 46 KA	G 1 1/4	900	2 × G 2; 2 × G 1½	DHS 32 G	G 1 1/4	CF 6
ASK 34	8	G 1 1/4	0.5	7710	F 46 KC	G 1	31	TD 51	G 1 1/2	0.4	3960	11460	F 46 KE	G 1 1/4	31 F	F 46 KA	G 1 1/4	1000	2 × G 1½; 2 × G 2	DHS 32 G	G 1 1/4	CF 9
ASK 40	8	G 1 1/4	0.6	9240	F 46 KC	G 1	31	TD 61	G 1 1/2	0.3	3480	12480	F 46 KE	G 1 1/4	31 F	F 46 KA	G 1 1/4	2000	G 2½	DHS 32 G	G 1 1/4	CF 9

Design limits for ambient temperature
 min: + 3° C
 max: + 40° C

 a) Climatic zone 2



Air receiver represents minimum recommended size

This drawing also contains work to be done on site. The regulations of EN 1012 and national regulations for setting up of power installations like VDE 0100 have to be observed; the requirements of existing operational safety ordinance and the manuals have to be considered by the operator and the employer respectively at the place of installation. The national safety and accident prevention regulations have to be observed. The installation of a sub-assembly in terms of the pressure equipment directive 2014/ 68/ EU has to be carried out according to this directive.

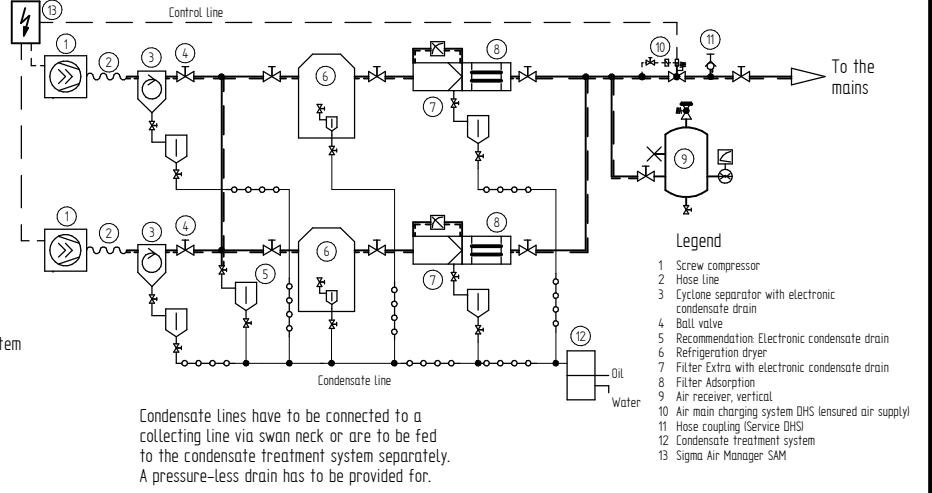
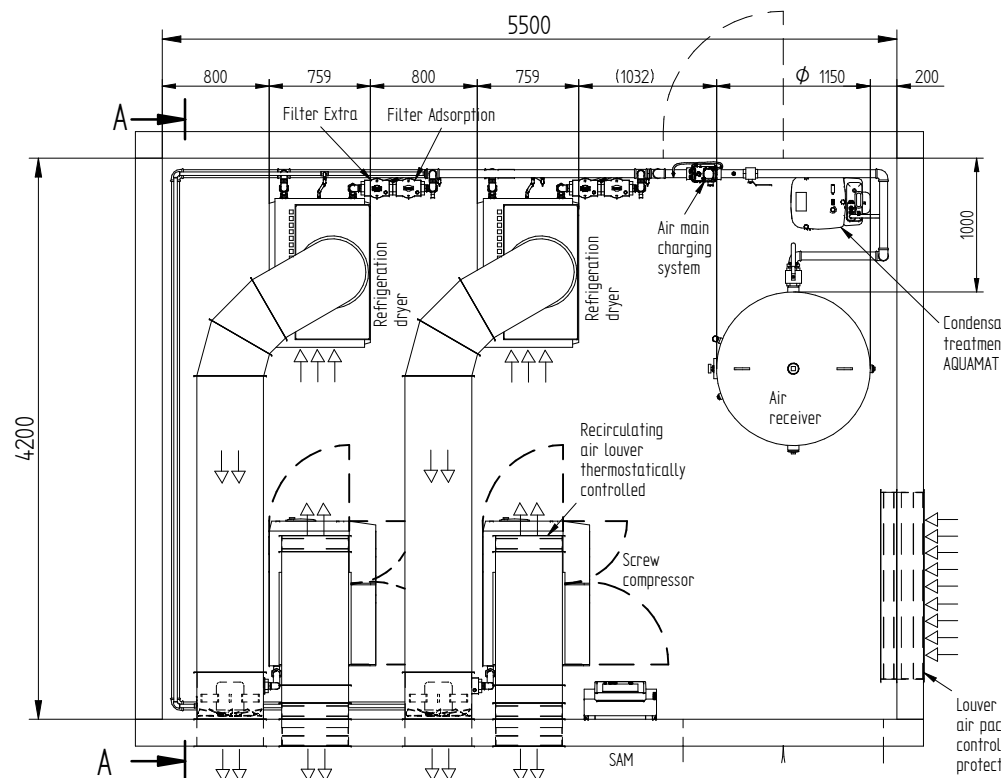
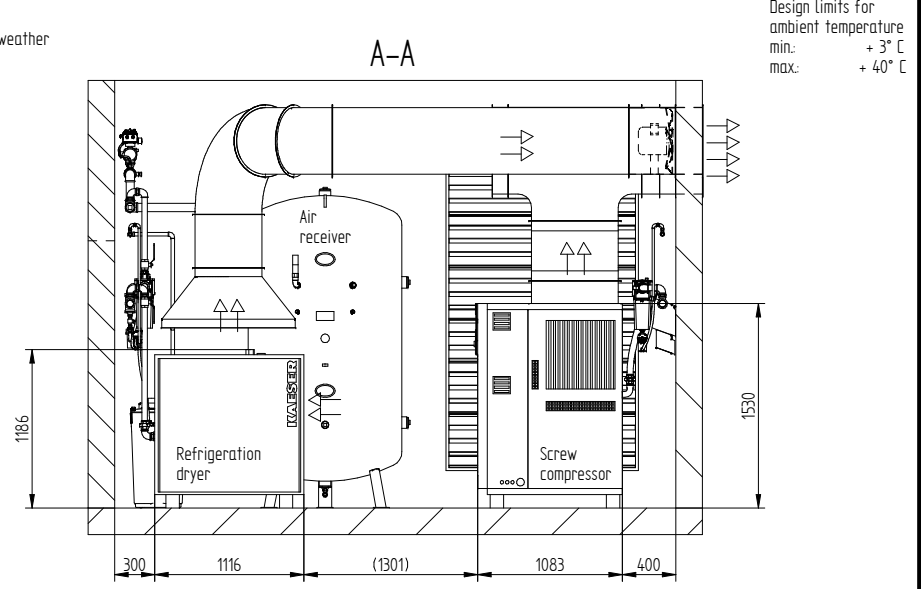
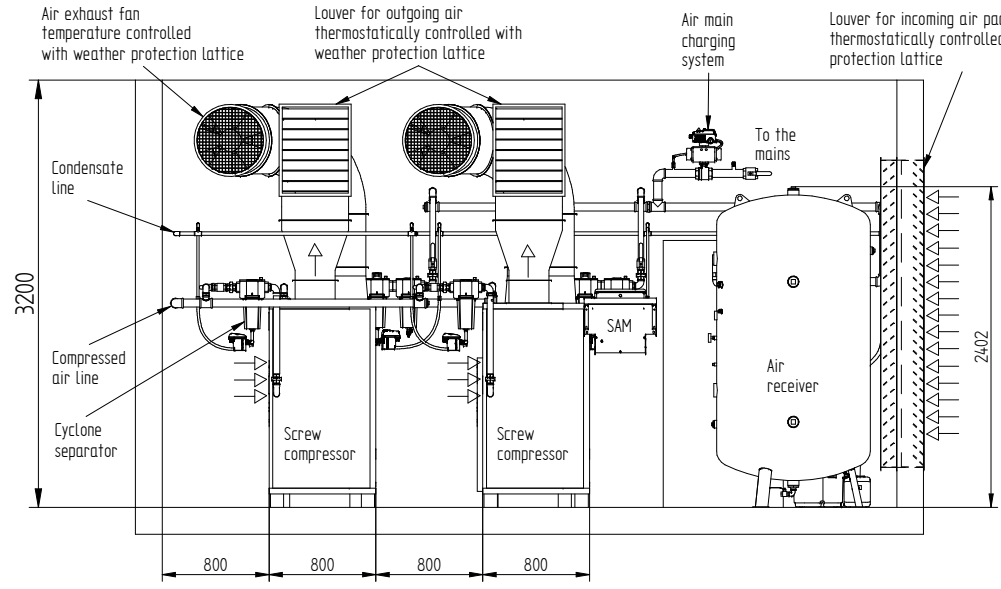
KAESER KOMPRESSOREN	P + I	Scale 1:40 DIN A3	Date	Name	
	Inst.		12/12/2016	Nahhas1	
Template Rev. 17.07.2016			Checked	12/12/2016	Hobusch
Description Sample layout sketch // 40° C			Plan No.		
ASK with exhaust air fan			LYMU0008900e		
(Shown ASK 40, TD 61, F 46 KE, F 46 KA)			Page 2 of 2		

ATTENTION
 Minimum width of door is total component width + 100 mm

Condensate lines have to be connected to a collecting line via swan neck or are to be fed to the condensate treatment system separately. A pressure-less drain has to be provided for.

Drawings remain our exclusive property. They are intended only for the agreed purpose. Copies or any other reproduction, including storage, treatment and dissemination by use of electronic systems must not be made for any other than the agreed purpose. Neither originals nor reproductions may be given to or made available to third parties.

Die Zeichnung bleibt unser ausschließliches Eigentum. Sie wird nur zu dem vereinbarten Zweck anvertraut und darf zu keinem anderen Zweck verwendet werden. Kopien oder sonstige Vervielfältigungen einschließlich Speicherung, Verarbeitung elektronischer Systeme dürfen nur zu dem vereinbarten Zweck angefertigt werden. Weder Original noch Vervielfältigungen dürfen an Dritte ausgeliehen oder in sonstiger Weise zugänglich gemacht werden.



Design limits for ambient temperature
min: + 3° C
max: + 40° C

- Legend**
- 1 Screw compressor
 - 2 Hose line
 - 3 Cyclone separator with electronic condensate drain
 - 4 Ball valve
 - 5 Recommendation: Electronic condensate drain
 - 6 Refrigeration dryer
 - 7 Filter Extra with electronic condensate drain
 - 8 Filter Adsorption
 - 9 Air receiver, vertical
 - 10 Air main charging system DHS (ensured air supply)
 - 11 Hose coupling (Service DHS)
 - 12 Condensate treatment system
 - 13 Sigma Air Manager SAM

Condensate lines have to be connected to a collecting line via swan neck or are to be fed to the condensate treatment system separately. A pressure-less drain has to be provided for.

This drawing also contains work to be done on site. The regulations of EN 1012 and national regulations for setting up of power installations like VDE 0100 have to be observed, the requirements of existing operational safety ordinance and the manuals have to be considered by the operator and the employer respectively at the place of installation. The national safety and accident prevention regulations have to be observed. The installation of a sub- assembly in terms of the pressure equipment directive 2014/ 68/ EU has to be carried out according to this directive.

KAESER KOMPRESSOREN	P + I <input checked="" type="checkbox"/> Inst. <input checked="" type="checkbox"/>	Scale 1:40 DIN A3	Date 15/08/2016	Name Nahhas1
	Template Rev. 17.07.2013		Checked 15/08/2016	Hobusch
Description Sample layout sketch // 40° C 2x ASK with exhaust air duct (Shown 2x ASK 40, 2x TD 61, 2x F 46 KE, 2x F 46 KA)			Plan No. LYMU0007500e	
Technical data see page 2			Page 1 of 2	

We reserve the right to make changes in the course of development. This drawing can only be modified with CAD

ATTENTION!
Minimum width of door is total component width + 100 mm

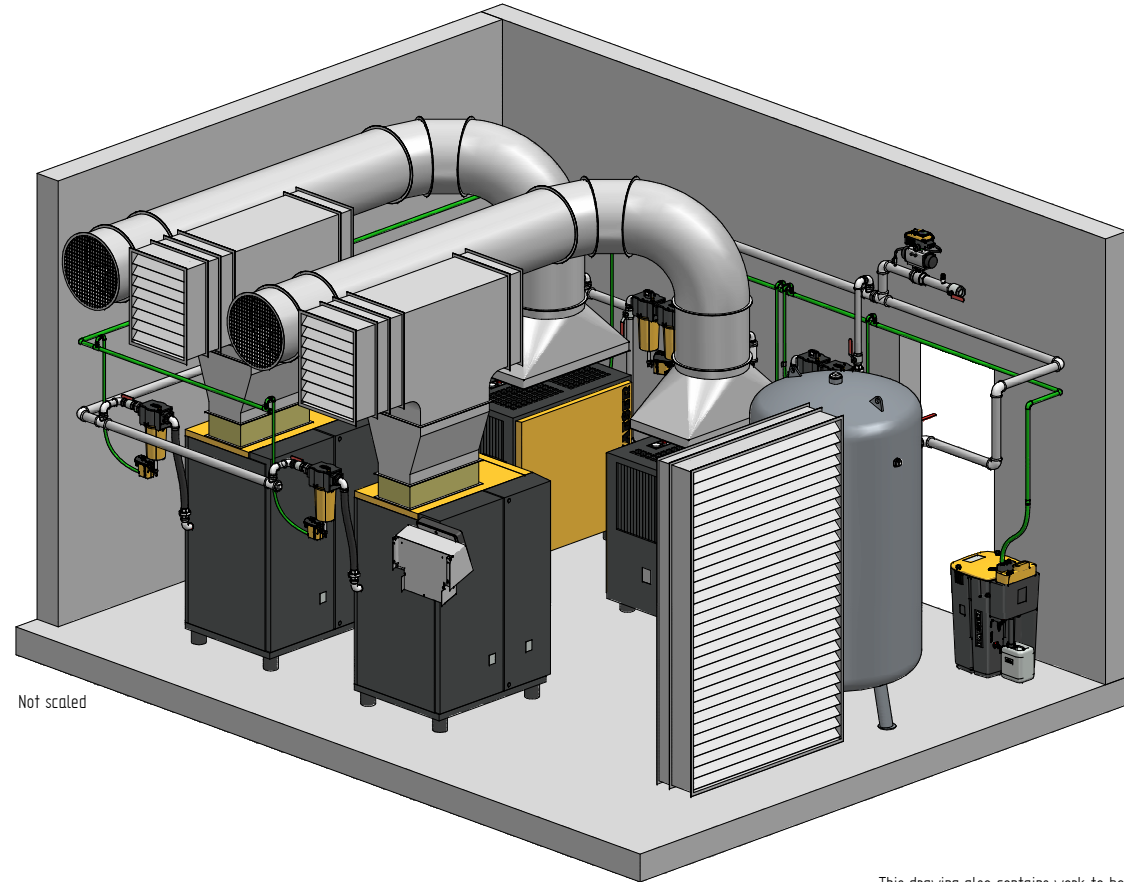
Drawings remain our exclusive property. They are intended only for the agreed purpose. Copies or any other reproduction, including storage, treatment and dissemination by use of electronic systems, must not be made for any other than the agreed purpose. Neither originals nor reproductions may be given to or made available to third parties.

Die Zeichnung bleibt unser ausschließliches Eigentum. Sie wird nur zu dem vereinbarten Zweck anvertraut und darf zu keinem anderen Zweck verwendet werden. Kopien oder sonstige Vervielfältigungen einschließlich Speicherung, Verarbeitung oder Verteilung unter Verwendung elektronischer Systeme dürfen nur zu dem vereinbarten Zweck angefertigt werden. Weder Original noch Vervielfältigungen dürfen Dritten zugänglich oder in sonstiger Weise zugänglich gemacht werden.

Compressor model	Working pressure [bar(g)]	Compressed air connection	Air entrance aperture free cross section per unit [m²]	Incoming air volume per unit [m³/h]	Air exhaust duct dimensions (free cross section) per unit [m²]	Permissible overall pressure loss for exhaust duct per unit Δp [Pa]	Cyclone separator	Compressed air connection	ECO-DRAIN a)	Compressed air collective line (two units)	Water trap ECO-DRAIN a)	Refrigeration dryer model	Compressed air connection	Air entrance aperture (free cross section) per unit [m²]	Incoming air volume per unit [m³/h]	Exhaust air fan (thermostatically controlled) per dryer [m³/h]	Filter Extra	Compressed air connection	ECO-DRAIN a)	Filter Adsorption	Compressed air connection	Air receiver [l]	Compressed air connection	Control	Air main charging system	Compressed air connection	Condensate treatment unit AQUAMAT a)
ASK 28	8	G 1 1/4	0.5	4170	0.33	60	F 46 KC	G 1	31	G 2	31	TC 44	G 1 1/4	0.2	2380	2380	F 46 KE	G 1 1/4	31 F	F 46 KA	G 1 1/4	900	2 × G 2; 2 × G 1½	SAM 4.0	DHS 50 G	G 2	CF 9
ASK 34	8	G 1 1/4	0.5	4210	0.33	60	F 46 KC	G 1	31	G 2	31	TD 51	G 1 1/2	0.4	3960	3960	F 46 KE	G 1 1/4	31 F	F 46 KA	G 1 1/4	1000	2 × G 1½; 2 × G 2	SAM 4.0	DHS 50 G	G 2	CF 19
ASK 40	8	G 1 1/4	0.6	5240	0.33	40	F 46 KC	G 1	31	G 2	31	TD 61	G 1 1/2	0.3	3480	3480	F 46 KE	G 1 1/4	31 F	F 46 KA	G 1 1/4	2000	G 2½	SAM 4.0	DHS 50 G	G 2	CF 19

Design limits for ambient temperature
 min: + 3° C
 max: + 40° C

a) Climatic zone 2



Not scaled

Air receiver represents minimum recommended size

This drawing also contains work to be done on site. The regulations of EN 1012 and national regulations for setting up of power installations like VDE 0100 have to be observed; the requirements of existing operational safety ordinance and the manuals have to be considered by the operator and the employer respectively at the place of installation. The national safety and accident prevention regulations have to be observed. The installation of a sub-assembly in terms of the pressure equipment directive 2014/ 68/ EU has to be carried out according to this directive.

KAESER KOMPRESSOREN	P + I <input checked="" type="checkbox"/>	Scale 1:40 DIN A3	Date	Name
	Inst. <input checked="" type="checkbox"/>		Drawn 15/08/2016 Nahhas1	
Template Rev. 17.07.2016			Checked 15/08/2016 Hobusch	
Description Sample layout sketch // 40° C 2x ASK with exhaust air duct IShown 2x ASK 40, 2x TD 61, 2x F 46 KE, 2x F 46 KA)			Plan No. LYMU0007500e	
			Page 2 of 2	

Condensate lines have to be connected to a collecting line via swan neck or are to be fed to the condensate treatment system separately. A pressure-less drain has to be provided for.

ATTENTION
 Minimum width of door is total component width + 100 mm